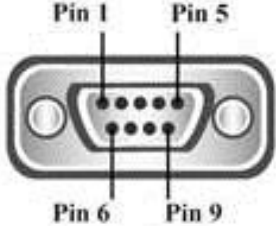


Changing from Full-Duplex to Half-Duplex using GtkTerm (Linux)

RS422/485

Pin	Signal
Pin 1	TXD-
Pin 2	TXD+
Pin 3	RTS-
Pin 4	RTS+
Pin 5	GND
Pin 6	RXD-
Pin 7	RXD+
Pin 8	CTS
Pin 9	CTS+

RS422/485 Pinout (9 Pin)



You will need to either short pins 1+6 and 2+7 or construct a Half-Duplex cable with those pins shorted.

GtkTerm works in a very similar way to most terminal applications.
To install GtkTerm, please follow these steps:

1. Open **Terminal**
2. Type: **sudo apt-get install GtkTerm**
3. Once installed, go to Terminal and type: **GtkTerm**

Once GtkTerm has been installed, follow these steps to change from Full-Duplex to Half-Duplex:

1. Open the **GtkTerm** application by typing in the **Terminal: GtkTerm**
2. Go to the configure tab
3. Enter the port information: Port, speed (baud), parity, bits, stopbits and flow control – Press OK when done
4. Now go to **Control Signals**
5. Press **Toggle DTR (F7)**

At the bottom of the GtkTerm application, there are letters saying: DTR RTS CTS CD DSR I
When **DTR** is greyed out, it means it has been toggled properly using the **Control Signals** option. This is now in half duplex mode.