



# US-324

## USB 1 Port RS422/485 1MBaud

“SERIAL CARDS ENGINEERED TO EXCEED EXPECTATIONS”

### Features

- 1 x RS422/485
- USB 2.0
- 128 Byte TX and 256 Byte RX FIFOs
- Up to 921,600 Baud
- DB9 Connector - 9 Pin Male
- Includes 0.25mm USB Extender cable
- Drivers for all popular operating systems
- Sample Programs, Test & Terminal software
- Lifetime Support
- Lifetime Warranty (registration required)

### Product



US-324:  
USB 1 Port  
RS422/485  
1MBaud

### Description

USB to Serial providing one RS422/485 serial port. Data transfer rates up to 921,600 baud rates and the 128 byte deep transmit and 256 byte receive FIFOs, coupled with 1Mbit line drivers deliver uncompromising performance on your laptop/PC. Drivers for Windows 32 bit and 64 bit Operating Systems including Windows XP, Server 2003, Vista, Server 2008 and Windows 7.

USB to serial is the quick low cost way to connect your computer to a serial comms enabled device. Boost software gives industry leading functionality and compatibility.

These products do away with traditional issues with USB technology so you can buy with confidence!

With Brainboxes industry renowned Lifetime Warranty and Lifetime Support!

### Software

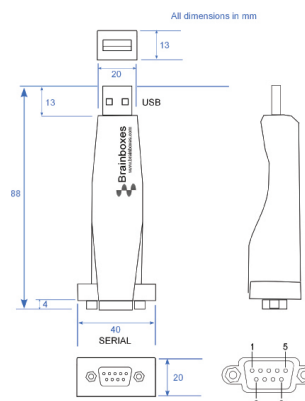
Microsoft signed drivers (easy installation & robust operation) for:

- Windows 7 32 bit & 64 bit Editions
- Windows Vista 32 bit & 64 bit editions
- Windows XP 32 bit & 64 bit editions
- 

As well as: full product documentation, a thorough troubleshooting guide and terminal software. Detailed sample source code for many popular programming languages. Further OS support on next page.

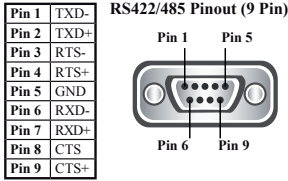


**ORDER**  
Description  
USB 1 Port RS422/485 1MBaud

Code  
US-324



# US-324 - USB 1 Port RS422/485 1MBaud

## US-324: Full Specification

<b>Port</b>	Ports	1 x RS422/485
	Connector	DB9 Connector - 9 Pin Male
	FIFO Size	256 Rx FIFO + 128 Tx FIFO
	Operating Distance	RS422/485 Standard (4000 ft : 1200 metres)
	Cable	USB extender cable (0.25 metre ~ 1ft)
<b>Port Settings</b>	Baud Rate	921,600
	Data Bits	7 or 8
	Parity	Odd, Even, None, Mark or Space
	Stop Bits	1 or 2
	Flow Control	
	Tx/Rx Modes	Full Duplex, Half Duplex Autogating
<b>Interface</b>	OS Compatibility	Microsoft Windows 7 32 bit & 64 bit Editions
		Windows Vista 32 bit & 64 bit Editions
		Windows XP 32 bit & 64 bit Editions
	BUS	USB 2.0
<b>Approvals</b>	Other Approvals	AEO C-TPAT C-Tick
		Microsoft Certified Gold Partner WEEE
		RoHS METL
	Microsoft Approvals	Windows 7 32 bit & 64 bit Editions
		Windows Vista 32 bit & 64 bit editions
		Windows XP 32 bit & 64 bit editions
<b>General</b>	PCB Layers	4
	Power Consumption	80mA @ 5V
	Product Weight	0.023 kg, 0.05 pounds
	Product Size	89(l) x 35(w) x 20(h) mm, 3.50(l) x 1.38(w) x 0.79(h) inches
<b>Box Content</b>	Packaging	Cable, Installation CD (inc manual, Microsoft signed drivers & Utilities)
	Device	USB 1 Port RS422/485 1MBaud USB extender cable (0.25 metre ~ 1ft)
<b>Product Support</b>	Warranty	Lifetime (online registration required)
	Support	Lifetime Web, Email & Phone Support from fully qualified, friendly staff who work in and alongside our Product Development Team
<b>Additional</b>	OEM Option	Available for bulk buy OEM
	Made In	Manufactured in the UK by Brainboxes Winner 2005 European Electronics Industry Awards "Manufacturer of the Year"
	Customisable	Brainboxes operate a "Perfect Fit Custom Design" policy for volume users. More info: <a href="mailto:sales@brainboxes.com">sales@brainboxes.com</a>